

© COPYRIGHT, 2015 BY MDP ENGINEERING GROUP, P.C.

These plans are the intellectual property of MDP ENGINEERING GROUP, P.C. and may not be duplicated, reproduced or disclosed without written consent. Copyrights and infringements will be strictly enforced.

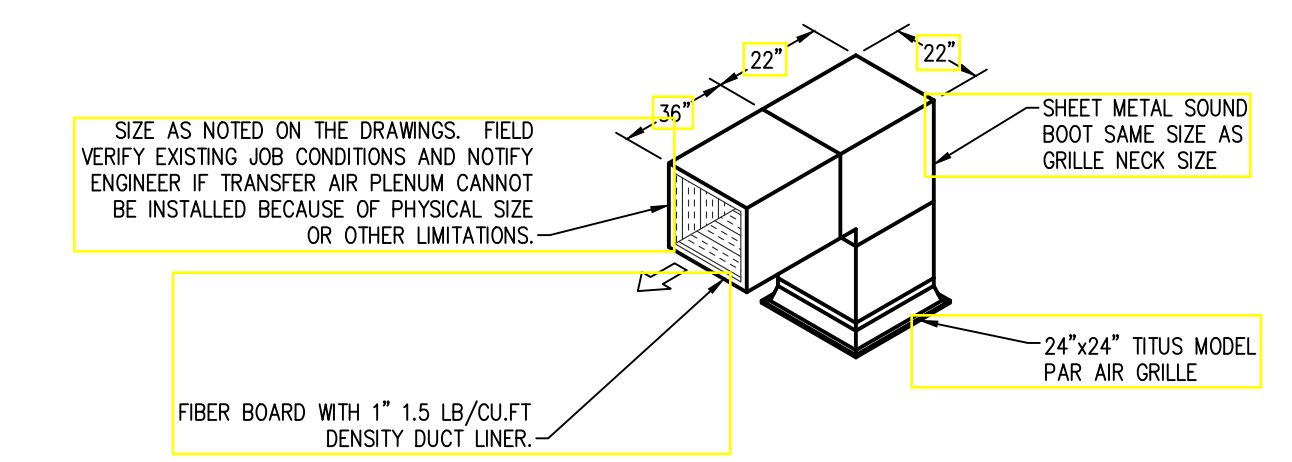
June 29, 2015

FAN SCHEDULE											
TAG	MANUFACTURER	MODEL	SERVICE / LOCATION	MOUNT TYPE	CFM	E.S.P. (IN. W.C. @ ALT.)	FAN RPM	MOTOR (WATTS)	ELECTRICAL VOLTS/PH/Hz	OPERATIONAL WEIGHT (LBS.)	SPECIFIC NOTES
FF-1	COOK	GN-420	COOLING/CEILING	CEILING	250	25	1075	126	120/1/60	30	A

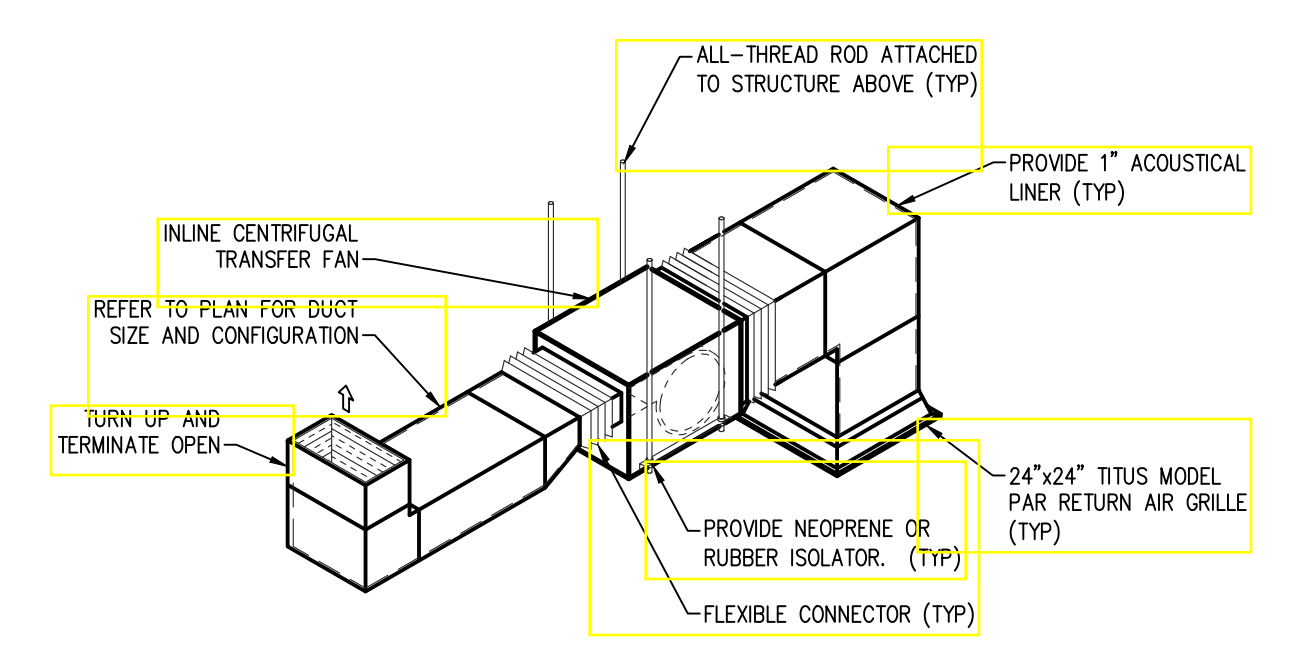
CONTROL NOTES:
A. CONTROL FROM LINE VOLTAGE THERMOSTAT. ENERGIZE AT 75° (ADJUSTABLE).

GENERAL NOTES:
1. ALL FANS SHALL BE UL LISTED.
2. PROVIDE DISCONNECT MEANS FOR SINGLE PHASE EQUIPMENT.
3. PROVIDE FULL SIZED DISCHARGE DUCT WITH PROPER TRANSITIONS AND FLEX CONNECTION.

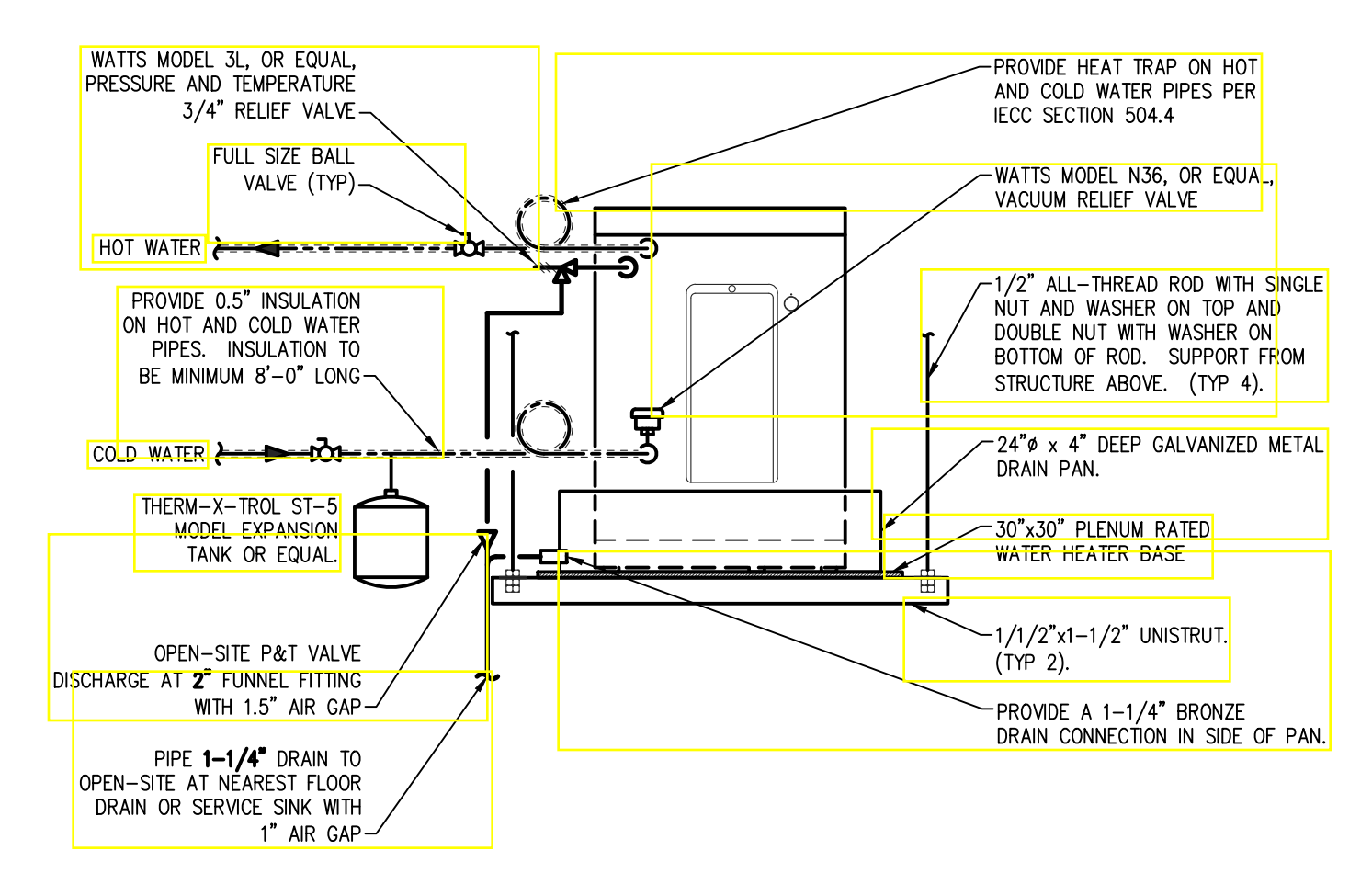
PLUMBING FIXTURE SCHEDULE									
TAG	DESCRIPTION	FIXTURE CONNECTION SIZES				SPECIFIC NOTES			
		W	V	CW	HW				
EW-1	ELECTRIC WATER HEATER: BRADFORD-WHITE MODEL LD-20L3-S, 20 GALLON, 1.5 KW, 277V/1PH/60HZ, SUSPENDED ELECTRIC WATER HEATER. 6 GPM RECOVERY AT 100°F RISE. 27.875" HIGH x 18" DIA. PROVIDE DIELECTRIC UNIONS. PIPE T & P VALVE AND DRAIN PAN DISCHARGE AS REQUIRED BY DETAIL ON DRAWINGS.	2"	2"	3/4"	3/4"				
GD-1	GARBAGE DISPOSER: INSinkERATOR MODEL BADGER 5, CONTINUOUS FEED, WITH 1/2 HP MOTOR, GALVANIZED STEEL GRINDING ELEMENTS WITH TWO STAINLESS STEEL SWIRL LUGS. 115V/1PH/60HZ, 6.9 AMPS. PROVIDE WALL SWITCH.	1-1/2"	2"	2"	2"				
S-1	SINK - A.D.A.: JUST MODEL SL-ADA-2122-A-GR, 18 GAUGE, 304 STAINLESS STEEL, 21" x 22" x 6.5" DEEP, SINGLE COMPARTMENT SINK WITH UNDERCOATING, SELF-RIMMING AND 4-HOLE PUNCH. PROVIDE DELTA MODEL 450W SINGLE HANDLE FAUCET WITH 8" SWIRL SPOUT, HAND SPRAY, 1-1/2" TAILPIECE, 1-1/4" BRANCH TAIL-PIECE, CAST BRASS P-TRAP WITH CLEANOUT, FLEXIBLE SUPPLIES, ANGLE STOPS AND DRAIN CUP STRAINER.	2"	2"	1/2"	1/2"				



A RETURN AIR GRILLE SOUND BOOT DETAIL
SCALE: NO SCALE



B INLINE CEILING TRANSFER FAN DETAIL
SCALE: NO SCALE



C SUSPENDED ELECTRIC WATER HEATER DETAIL
SCALE: NO SCALE

Delta	Issue No.	Description	Date

IA INTERIOR ARCHITECTS

DENVER

1750 15TH STREET, FLOOR 3
DENVER, COLORADO 80202
TEL 303-672-8500 FAX 303-672-8501

© 2015 INTERIOR ARCHITECTS, INC., A COLORADO CORPORATION. ALL DRAWINGS AND WRITTEN MATERIAL HEREIN CONSTITUTE THE ORIGINAL AND UNPUBLISHED WORK OF THE ARCHITECT, AND THE SAME MAY NOT BE DUPLICATED, USED, OR DISCLOSED WITHOUT THE WRITTEN CONSENT OF THE ARCHITECT.

Drawn: CS Check: DP Owner Approval:
Job No.: Scale: NONE

Title: **Details and Schedules**

Sheet: **M0.1**

Drawing: 15180-Station-S, Lone Tree, CO, 10/07/14 - Bradbury Properties/03-Denver/1015-06-10 - Int-Hvac-M&E - Details and Schedules, 15/07/15.dwg - Plotted by: PHS/Schneider On: Monday, June 29, 2015 11:52:28 AM



